



C

E

G E-5 5-155 C/H/

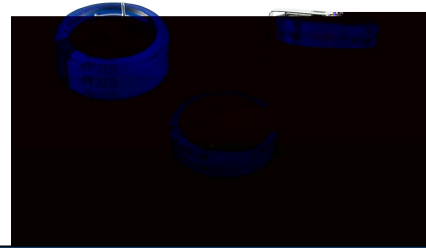
G C „L .



❖ F

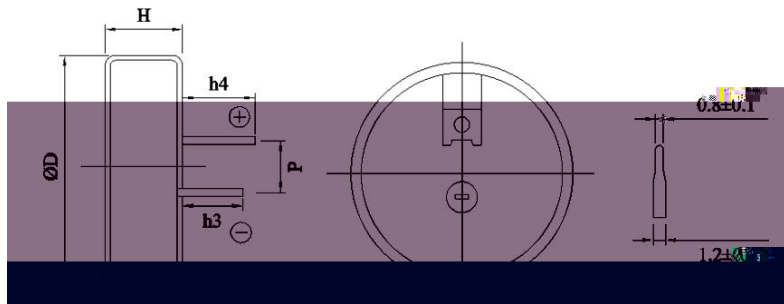
❖ A

❖ G C



I	C

❖ D



C

:

I	C	I	C

:

	( )		D	(L H)	

C

E

G E-5 5-155 C/H/



H

C	I	C

( )	D	(L H)	



C	I	C

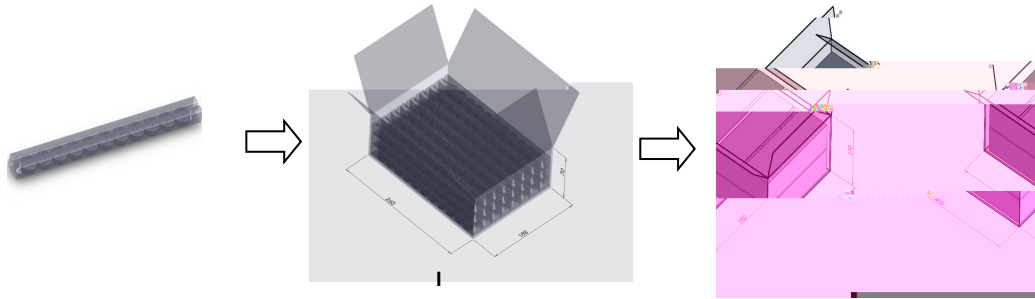


C

E

G E-5 5-155 C/H/

❖



❖ H

G E-5 5-155 C/H/ 1000



\_\_\_\_\_

❖ H

G

1

2 A

G